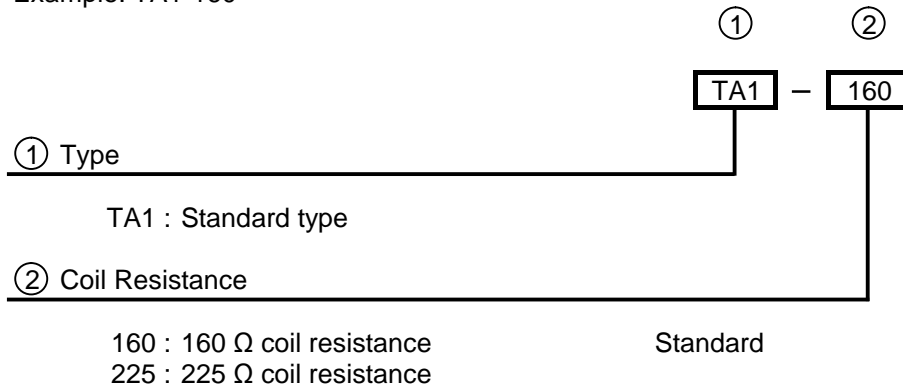


TA1 Relay Part Number Code

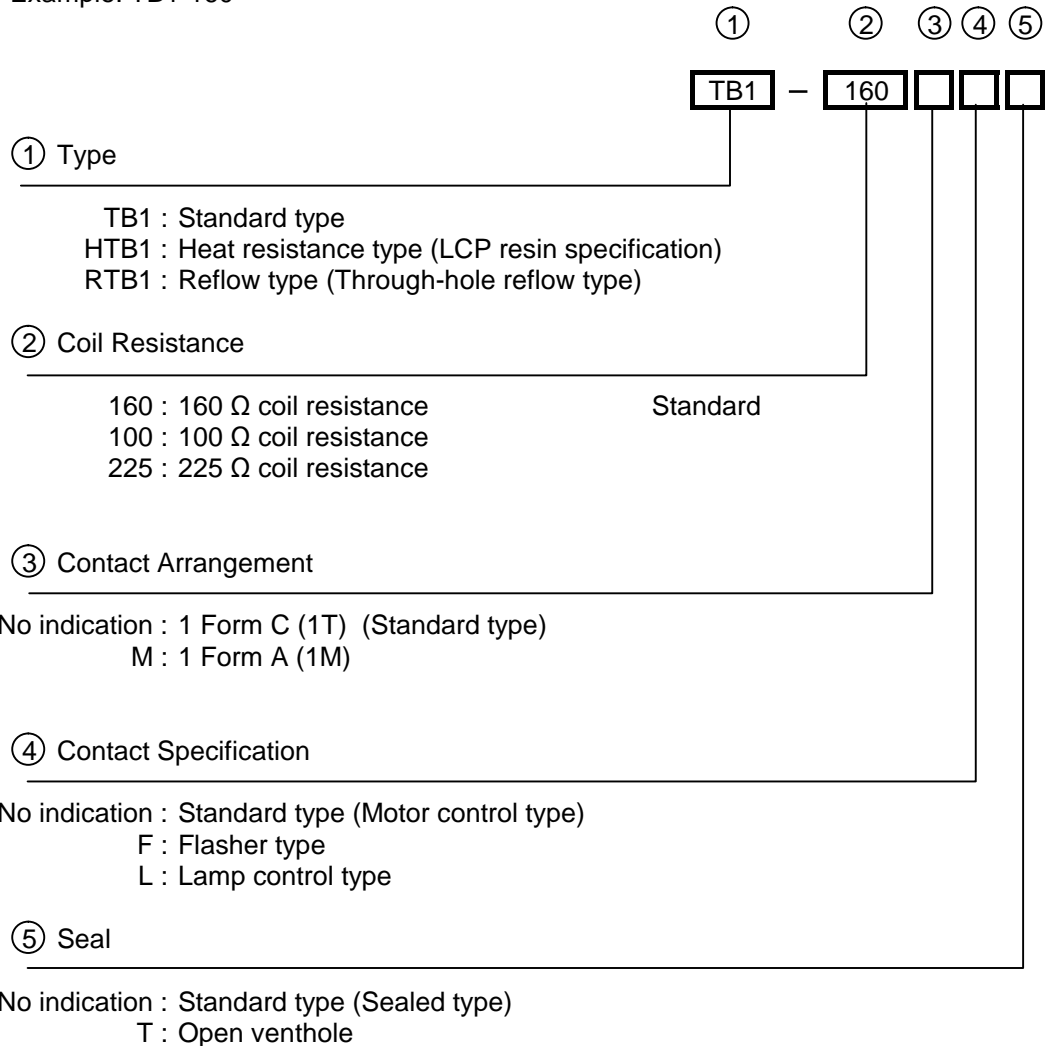
Example: TA1-160



* For any questions please contact our sales department in your region.

TB1 Relay Part Number Code

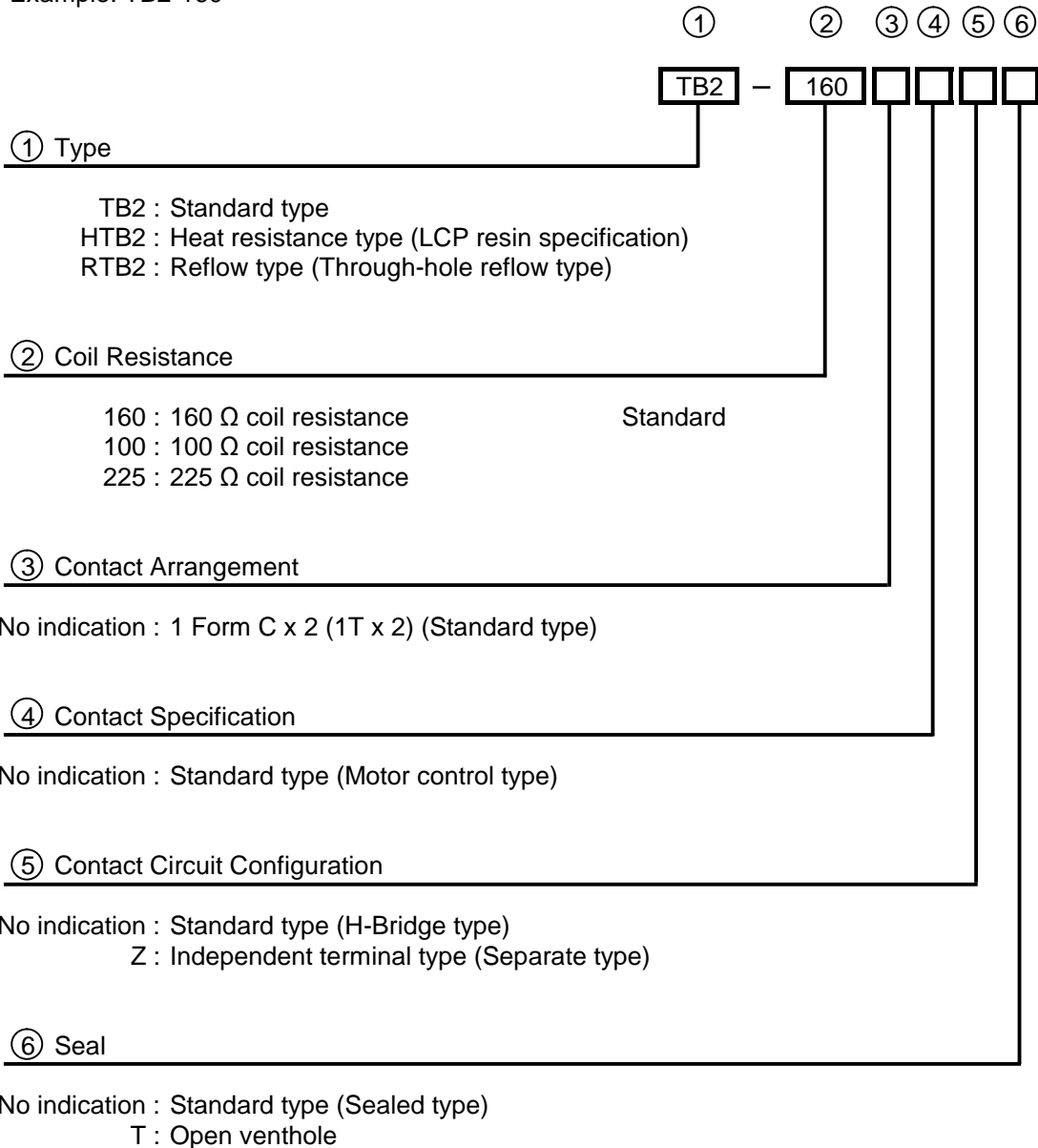
Example: TB1-160



* For any questions please contact our sales department in your region.

TB2 Relay Part Number Code

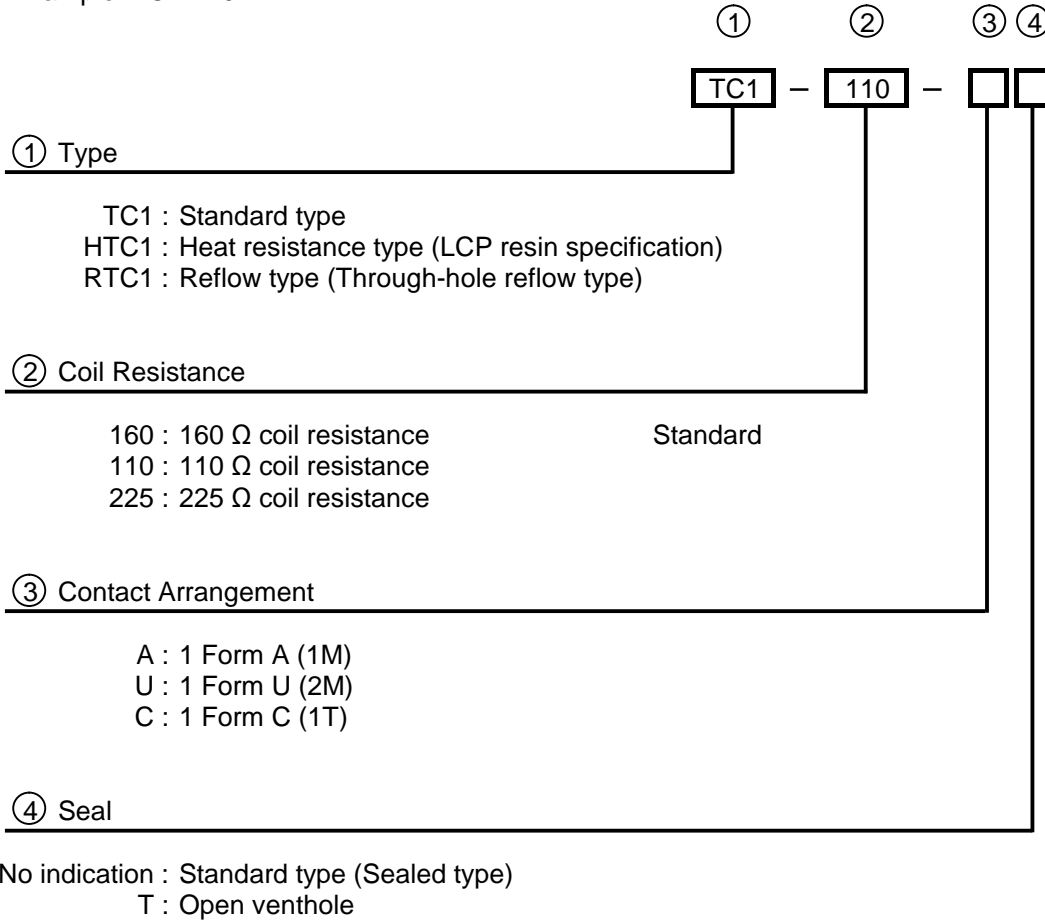
Example: TB2-160



* For any questions please contact our sales department in your region.

TC1 Relay Part Number Code

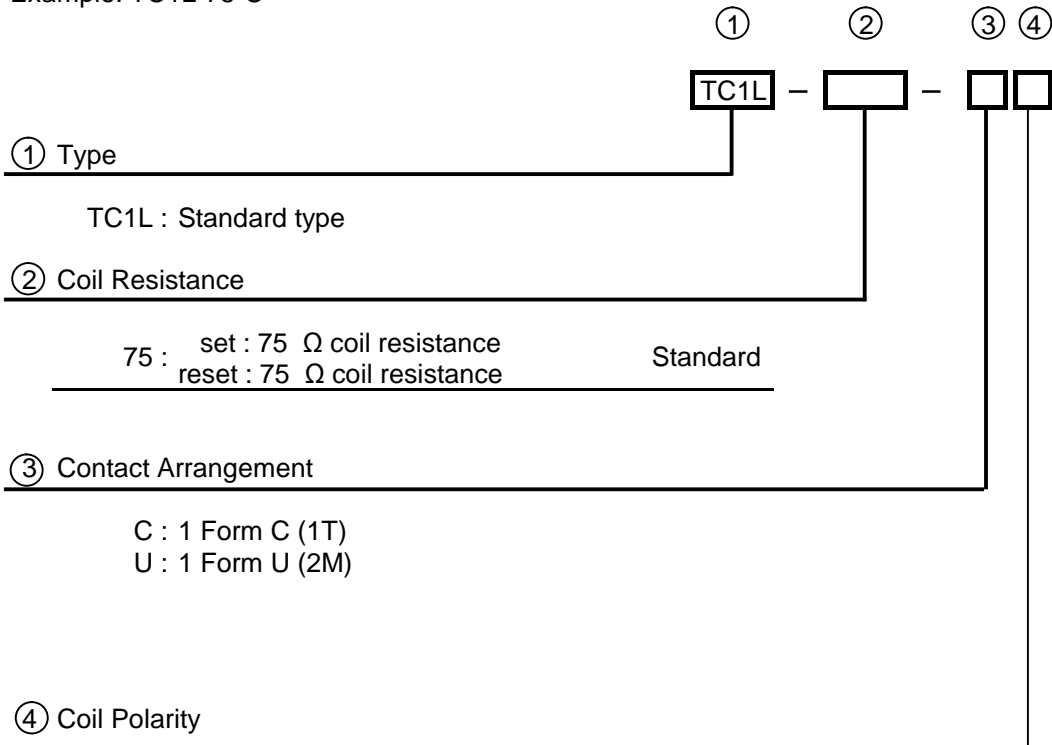
Example: TC1-110-A



* For any questions please contact our sales department in your region.

TC1L Relay Part Number Code

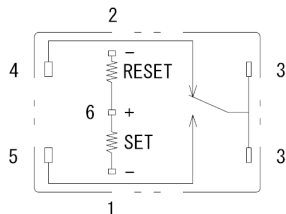
Example: TC1L-75-C



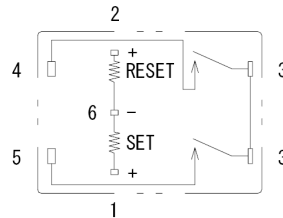
No indication : Terminal 6 on (+) for C version
T : Terminal 6 on (-) for U version

Layout and Polarity

Bottom view



Low side drive
(1FormC)

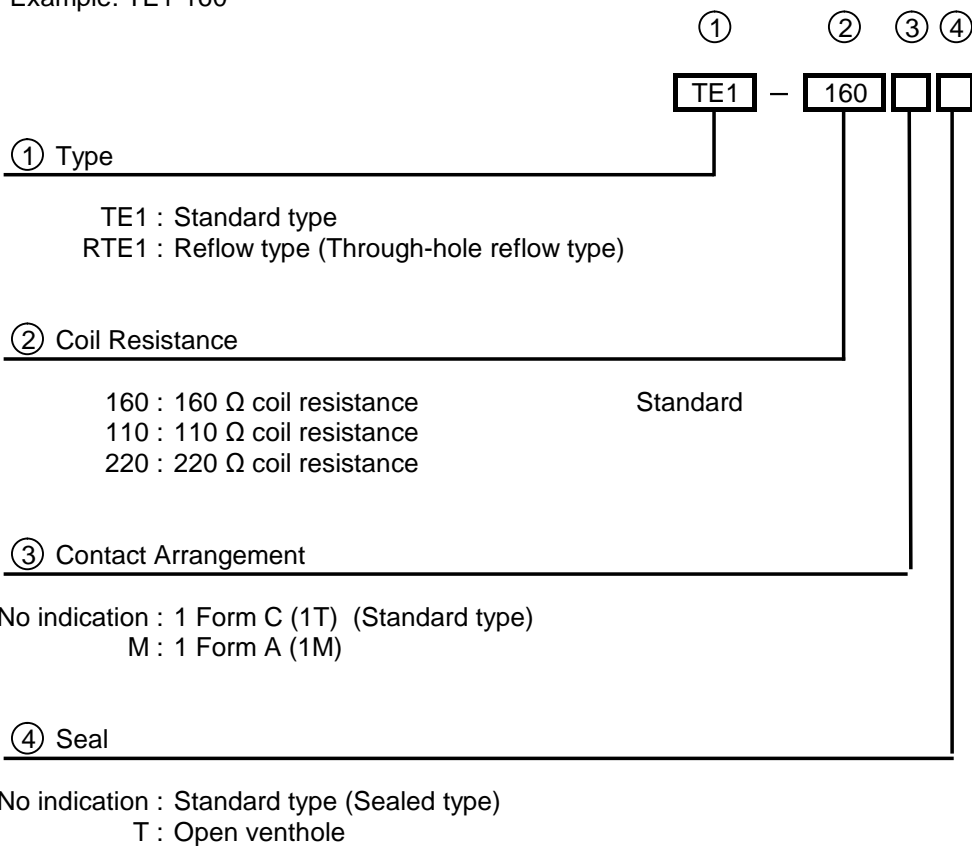


High side drive
(1FormU)

* For any questions please contact our sales department in your region.

TE1 Relay Part Number Code

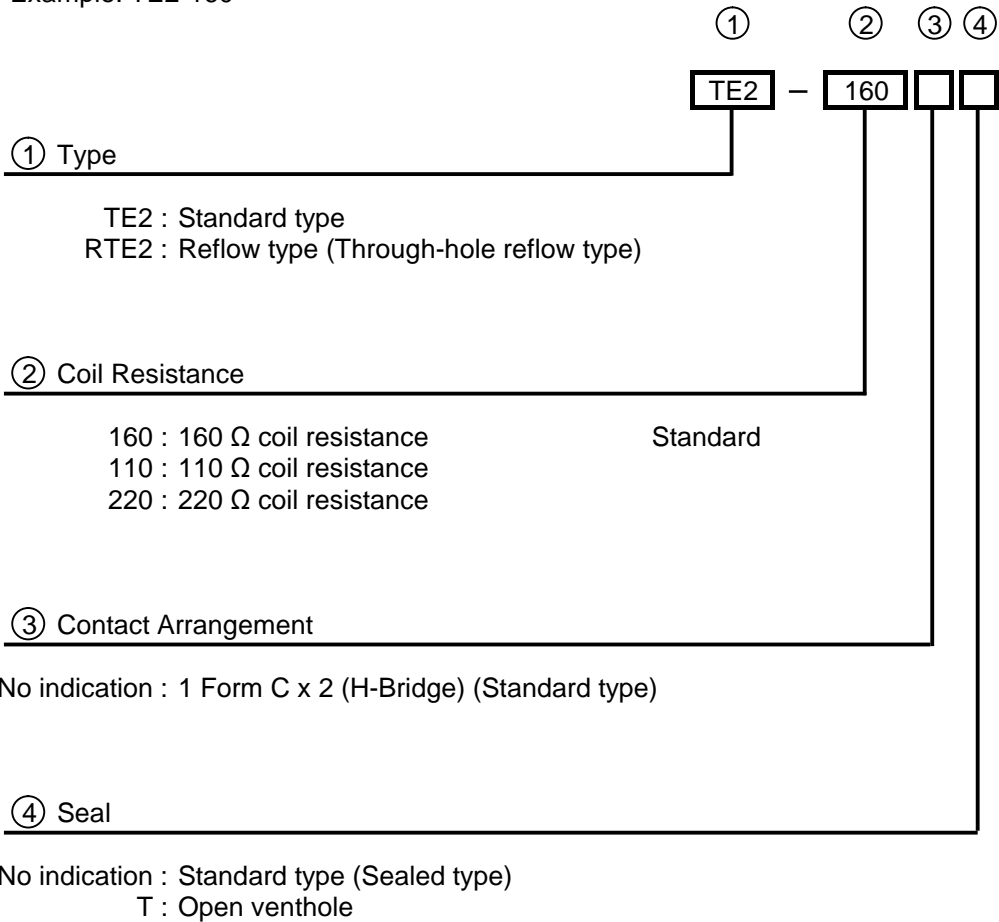
Example: TE1-160



* For any questions please contact our sales department in your region.

TE2 Relay Part Number Code

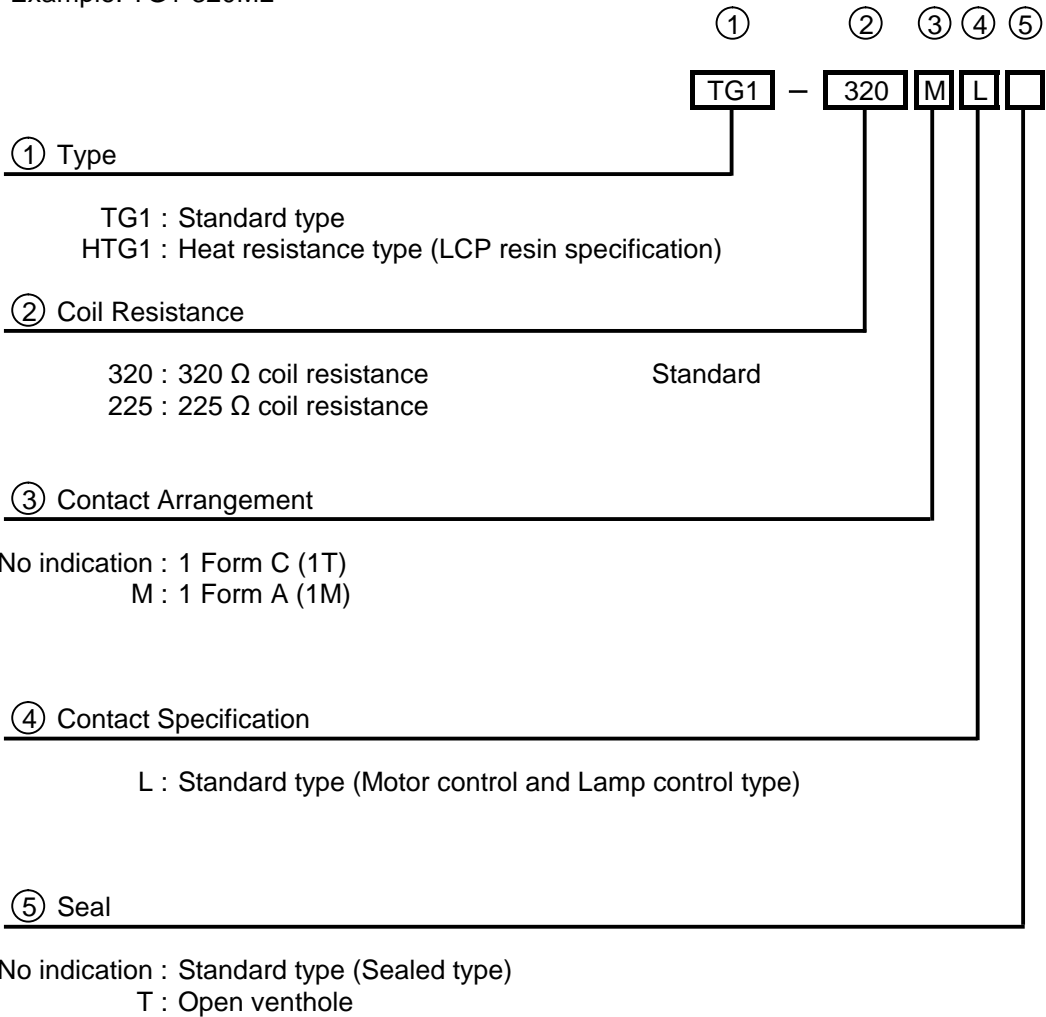
Example: TE2-160



* For any questions please contact our sales department in your region.

TG1 Relay Part Number Code

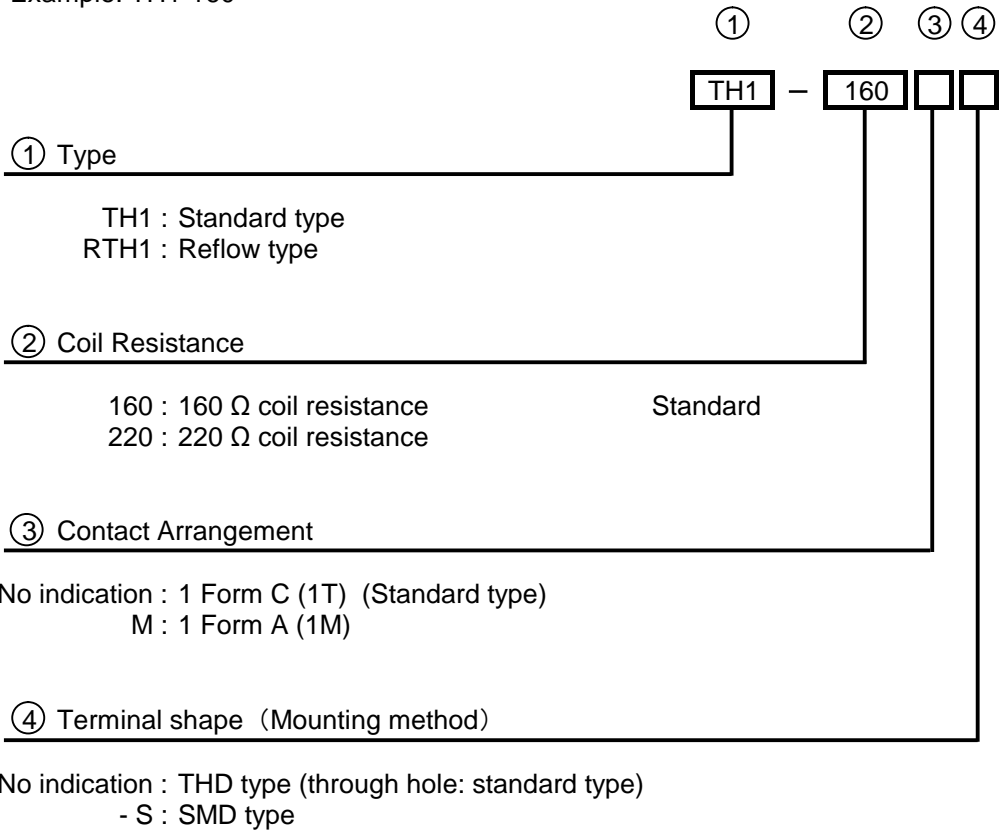
Example: TG1-320ML



* For any questions please contact our sales department in your region.

TH1 Relay Part Number Code

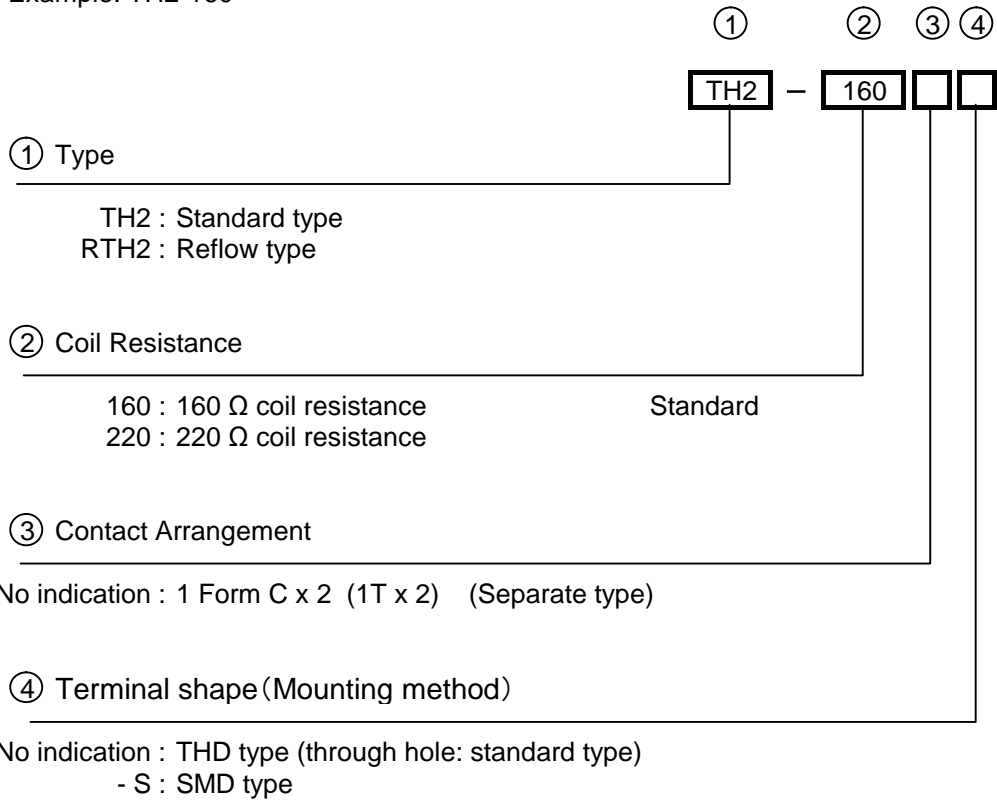
Example: TH1-160



* For any questions please contact our sales department in your region.

TH2 Relay Part Number Code

Example: TH2-160



* For any questions please contact our sales department in your region.